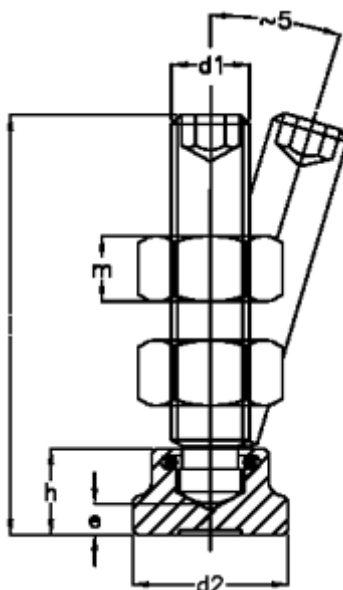


Article number: 20940670B

Description: E+G Clamping bolt
GN 802-M10-64

Measures



$d_1 = M10$

$d_2 = 20$

$e = 3,6$

$h = 11$

$l_1 = 64$

$m = 8.4$